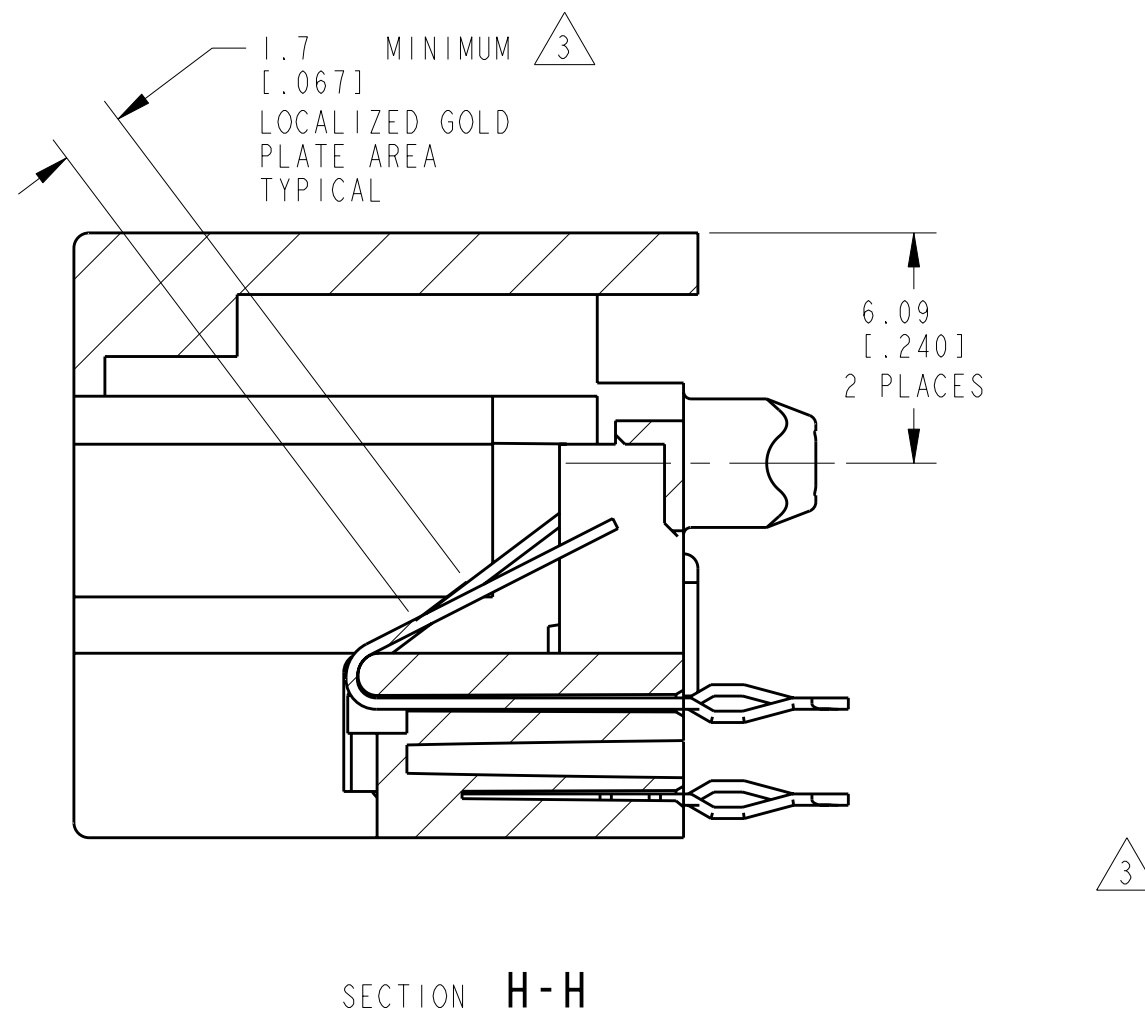
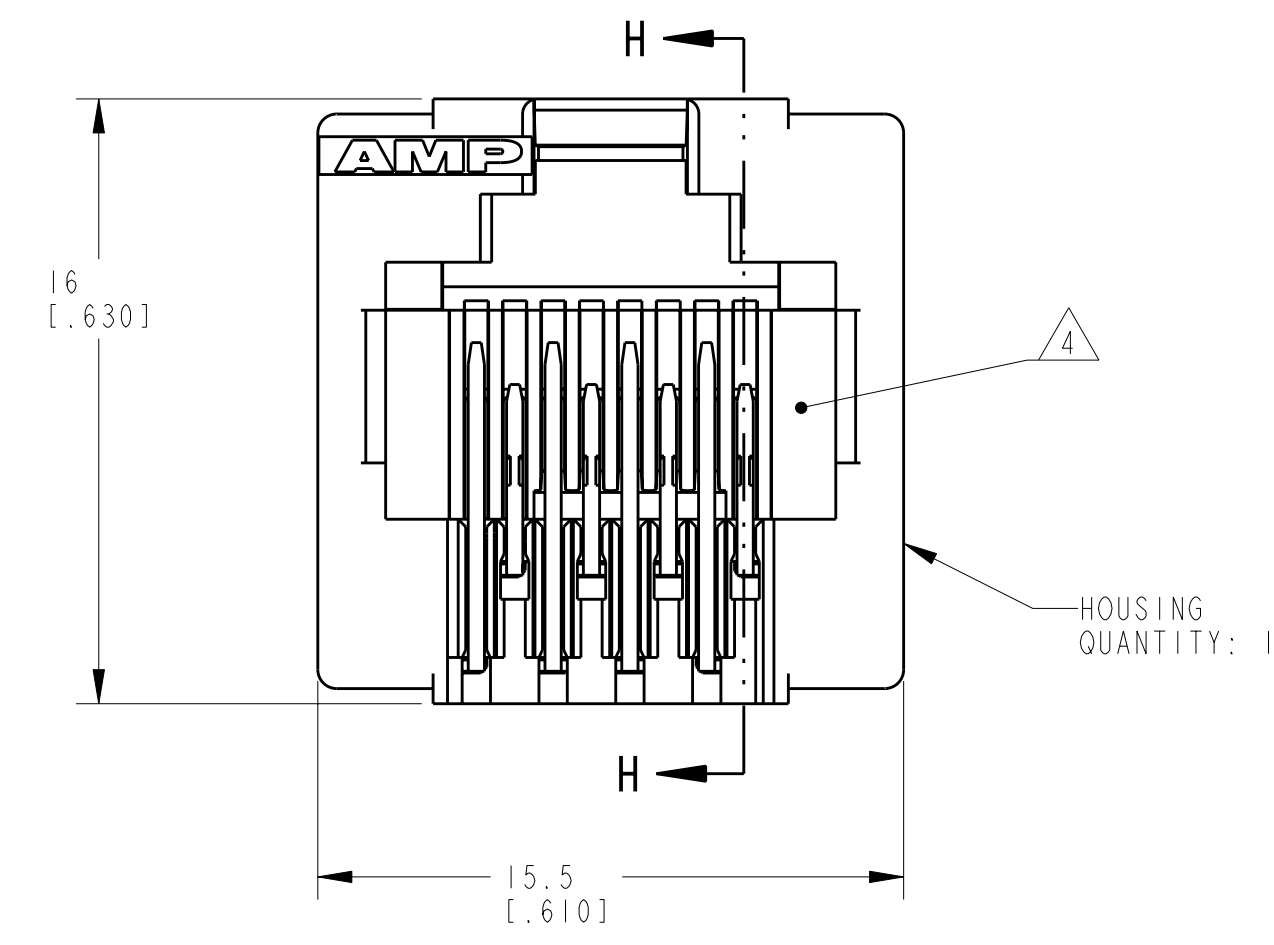
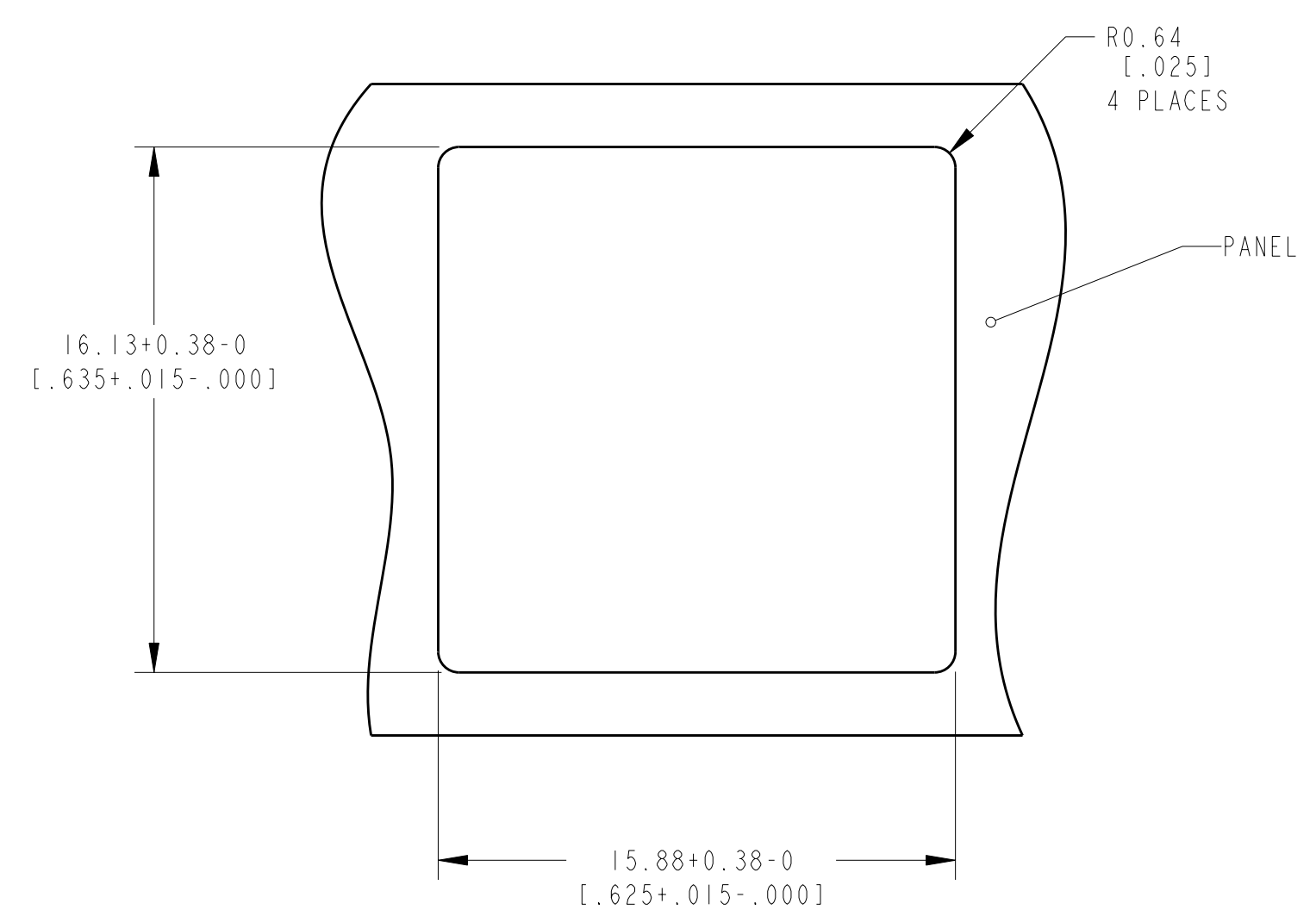
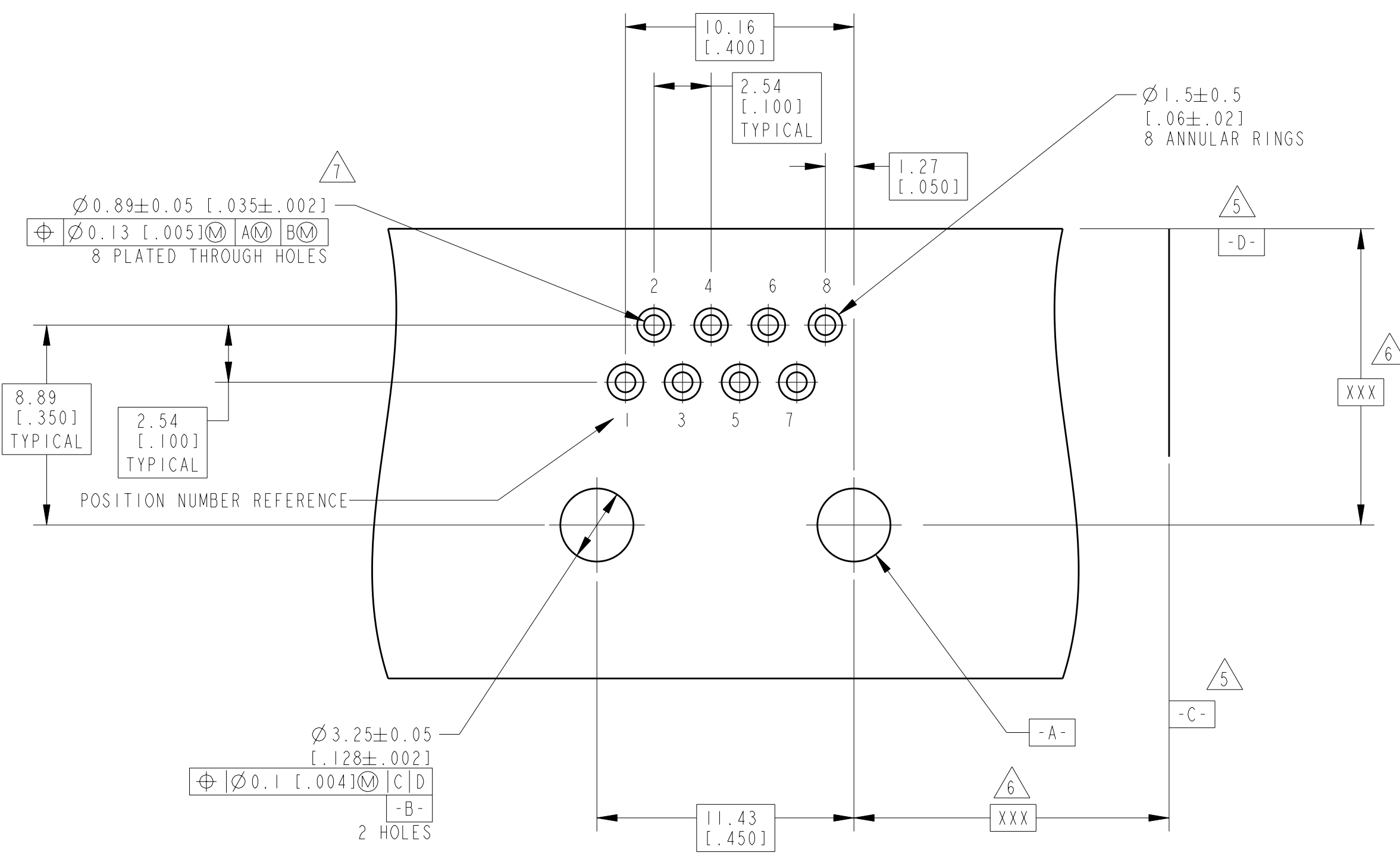
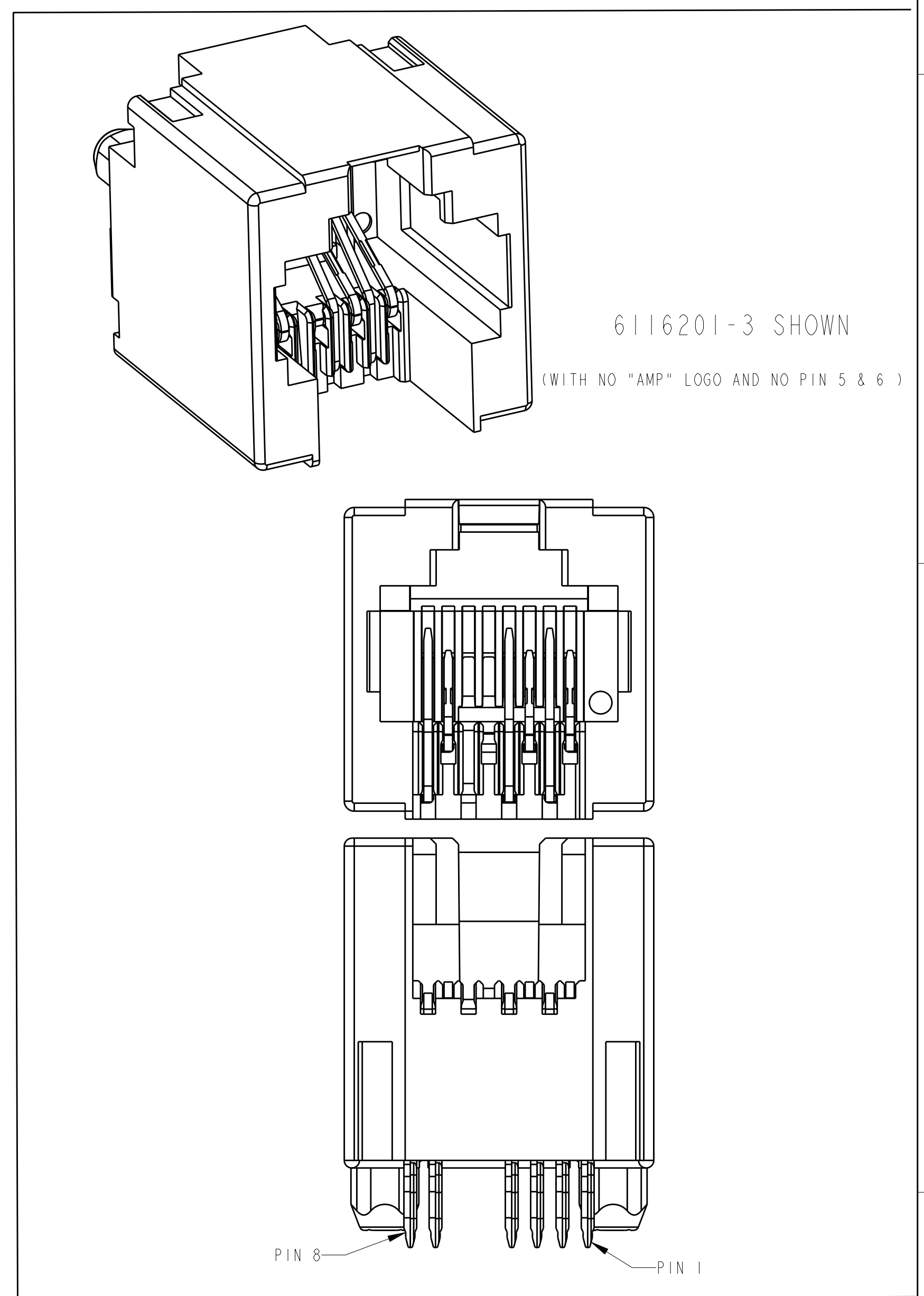
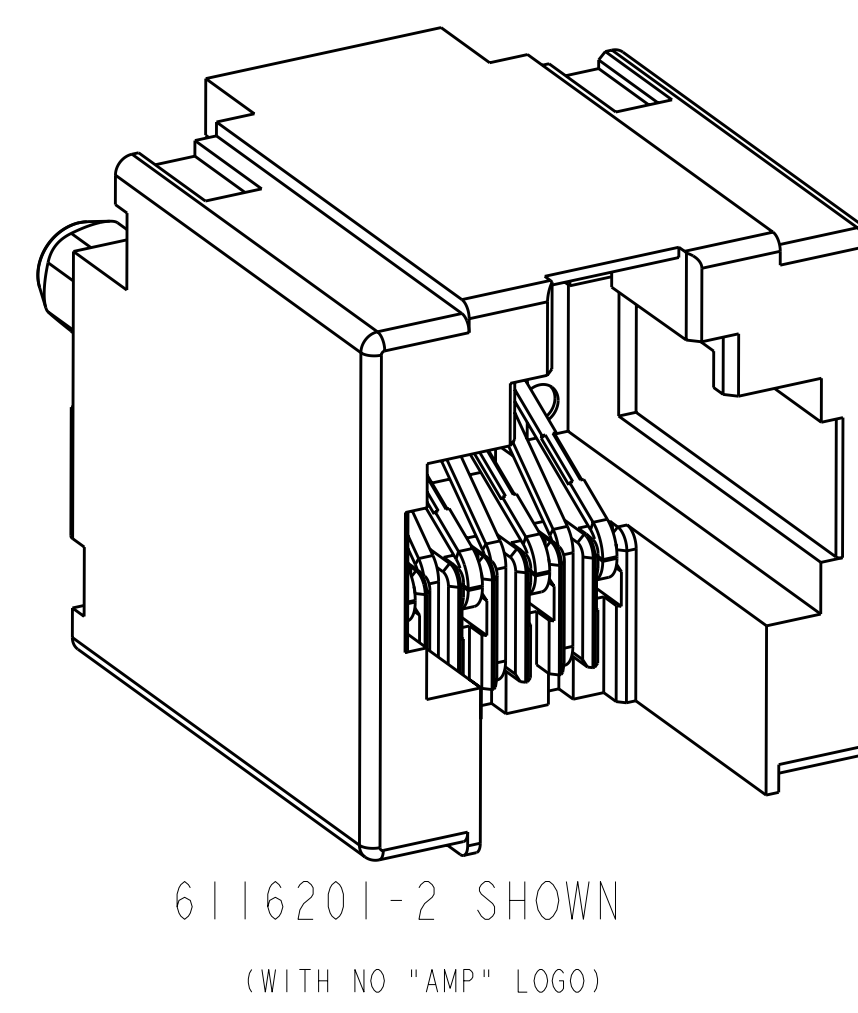
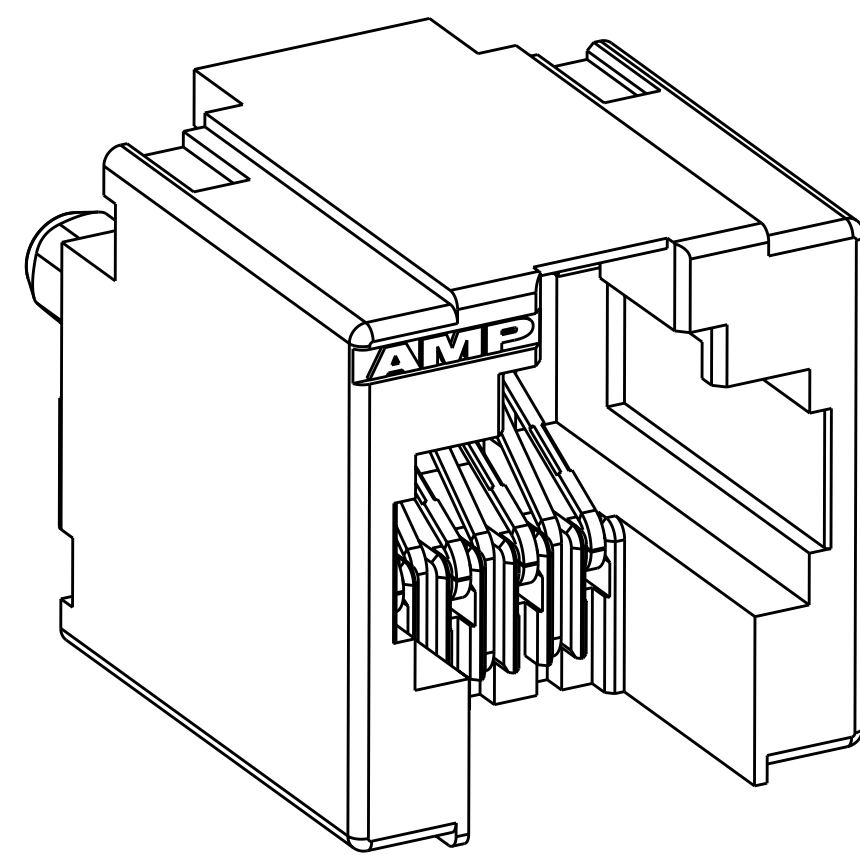
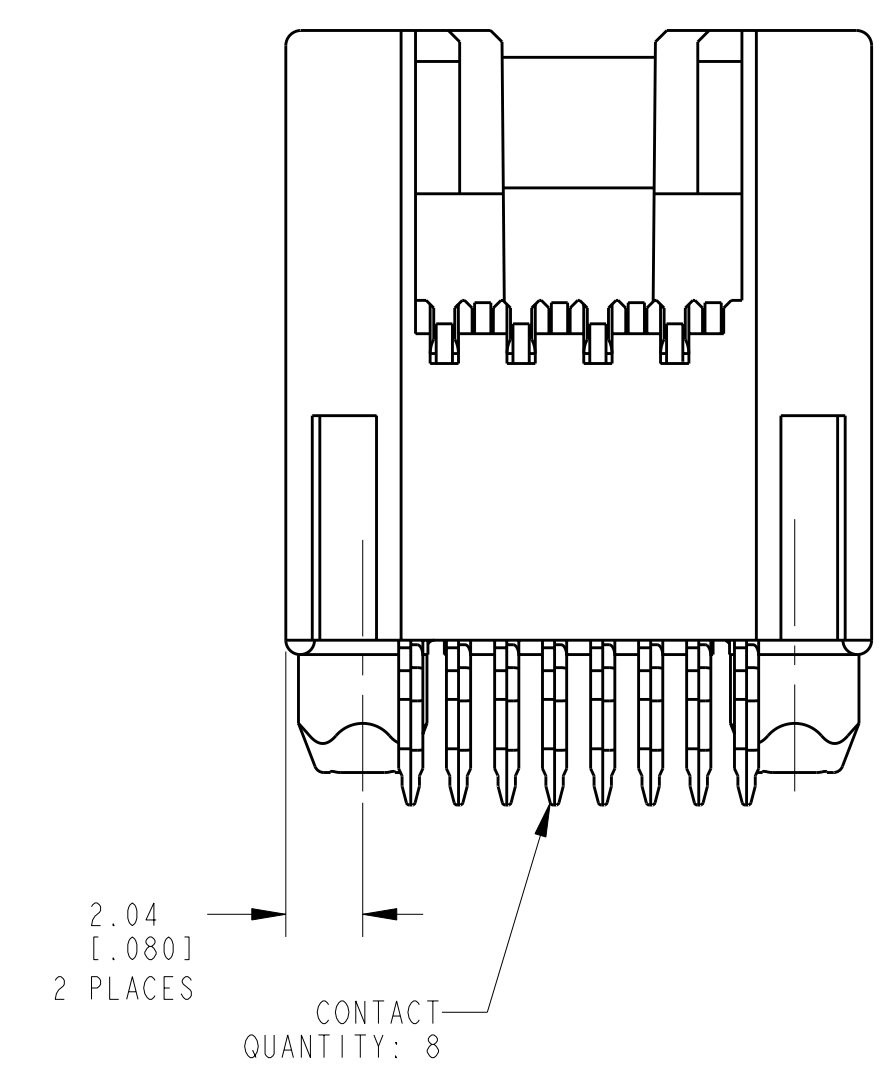


| LOC | DIST | REV | DATE | BY | CHK | APPV |
|-----|------|-----|-----------|----|-------|------|
| AA | 22 | A | 29JUL2005 | AF | SF | |
| | | A1 | 16AUG2010 | DZ | MO, W | |
| | | A2 | 25AUG2010 | DZ | MO, W | |



- 1 THERMOPLASTIC, COLOR-BLACK.
- 2 PHOSPHOR BRONZE
- 3 1.27um[0.00050] MIN GOLD IN LOCALIZED GOLD PLATE AREA, 2um[0.00079] MIN MATTE TIN ON TERMINATION END, BOTH OVER 1.27um[0.00050] MIN NICKEL.
- 4 CAVITY CONFORMS TO FCC 47 CFR 68 PART F.
- 5 DATUMS ESTABLISHED BY CUSTOMER.
- 6 DIMENSIONS ESTABLISHED BY CUSTOMER.
- 7 DRILLED HOLE DIAMETER 1.02±0.03[0.040.001], COPPER THK 0.03-0.08[0.001-.003], TIN THICKNESS 8um[0.000315] MIN.
- 8 PC BOARDS GREATER THAN 1.57[0.062] IN THICKNESS MAY REQUIRE SPECIAL EXTRACTION TOOLING, CONSULT ENGINEERING.



RECOMMENDED PRINTED CIRCUIT BOARD LAYOUT
 RECOMMENDED PRINTED CIRCUIT BOARD THICKNESS 1.41[0.055] MIN
 COMPONENT SIDE OF PRINTED CIRCUIT BOARD

| DESCRIPTION | PART NUMBER |
|-----------------------------|-------------|
| NO "AMP" LOGO, NO PIN 5 & 6 | 6116201-3 |
| NO "AMP" LOGO | 6116201-2 |
| AS SHOWN | 6116201-1 |

| | | | | | | | |
|---|--|--|--|--|--|--|--|
| DIMENSIONS: mm [INCHES] 9 PLC ± 1 PLC ± 2 PLC ±0.13[0.005] 3 PLC ± 4 PLC ± ANGLES ± | | TOLERANCES UNLESS OTHERWISE SPECIFIED: FINISH: CONTACT: 2 | | DWN: A. FERNANDEZ - 00065 CHK: J. WESTMAN APVD: S. FLICKINGER PRODUCT SPEC: 108-1163-6 APPLICATION SPEC: 114-2158 WEIGHT: - CUSTOMER DRAWING | | TYCO Electronics Harrisburg, PA 17105-3608 MODULAR JACK ASSEMBLY, VERTICAL, COMPLIANT PIN, 8 POSITION, CATEGORY 5 SIZE: CAGE CODE DRAWING NO: A1100779 C=6116201 SCALE: 5:1 SHEET 1 OF 1 REV: A2 | |
|---|--|--|--|--|--|--|--|